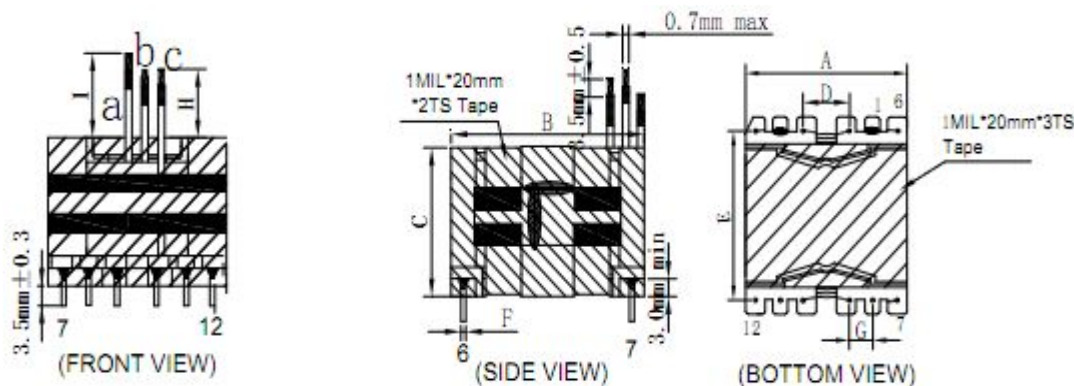


CUSTOMER TERMINAL	ROHS	Lead(Pb)-free
	YES	YES

1. Mechanical Dimensions



A	30.5	MAX
B	30.5	MAX
C	23.5	MAX
D	7.5	±0.1
E	25.4	±0.1
F	0.6	±0.1
G	3.8	±0.1
H	30.0	±2.0
I	42.0	±2.0

3. Material List

Core:FW95 PQ2620

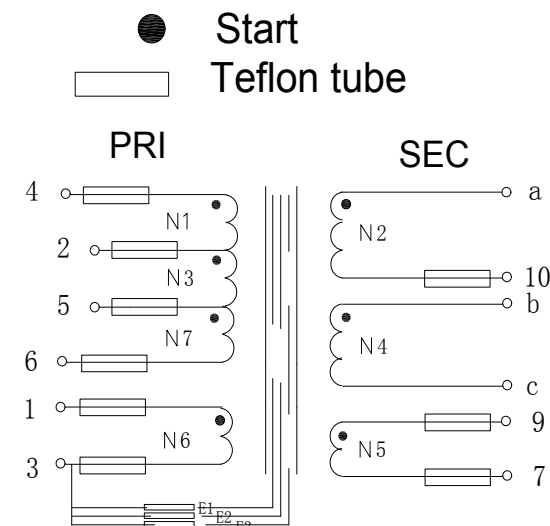
Bobbin:FWB2601(6+6PIN)

Wire:2UEW TIW LITZ

Copper foil: 0.025t*5.0/8.0mm

Operating Temperature: -30 to 115 °C

2. Schematic Diagram



4. Electrical Specification

Inductance: L(4-6):0.63mH±5% 60KHZ , 1V

Leakage Inductance : 10uH MAX 60KHZ , 1V

DCR:(4-6)=0.737ΩMAX

Hi-Pot:P-S: AC 60Hz 4000V 1.0mA 3S

S-CORE: AC 60Hz 4000V 1.0mA 3S

REV.	DATE	<p>Convention Placement</p>	DRW.	Drawing Title:	Part No:		
0	00/00		CHK.			TRANSFORMER	FWPTPQ2620V631J-1
			APP.			Customer P/N	Specification Sheet 1 of 1
ROHS		www.ferriwo.com					